



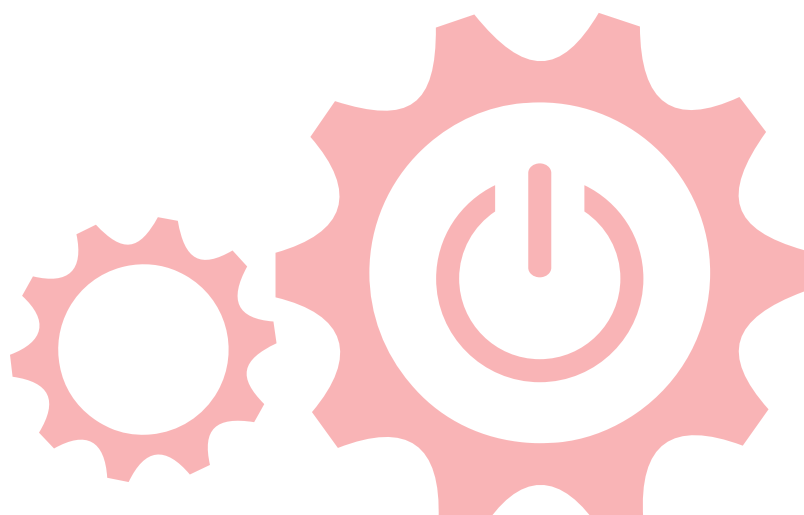
Gabriele Leita

automazione industriale

Agente per le province di Verona, Trento e Bolzano con l'esclusiva dei marchi trattati

MERSEN

Per informazioni e richieste:
335 7528516
commerciale@gabrieleleita.it
www.gabrieleleita.it



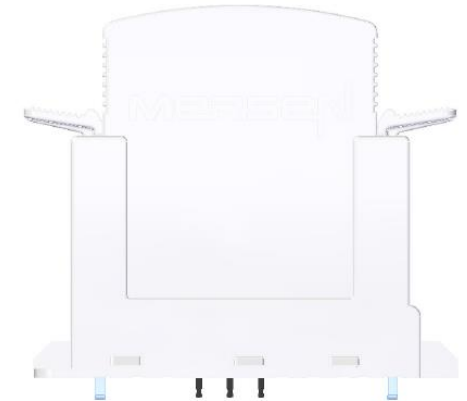
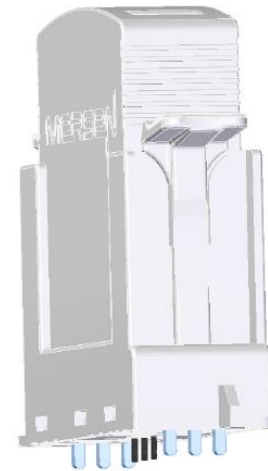
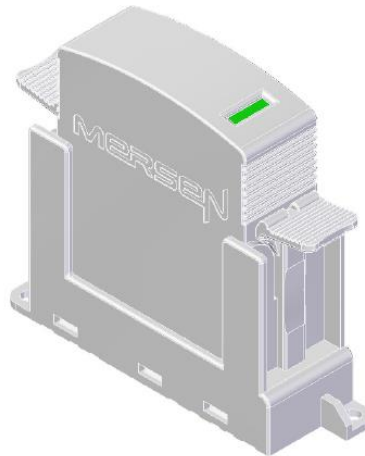


SPD ON PCB (PRINTED CIRCUIT BOARD)



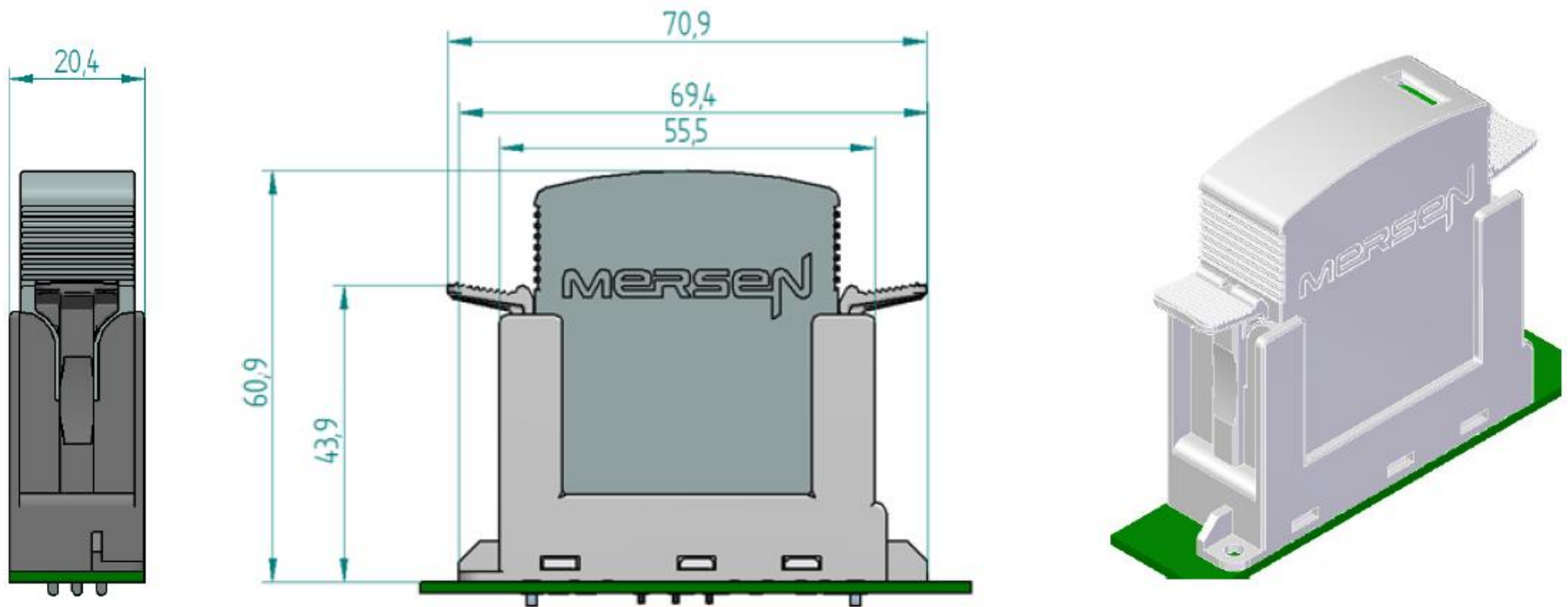
SB PCB - BUILT-IN SPD FOR PCB

3D DRAWINGS



SB PCB - BUILT-IN SPD FOR PCB

■ DIMENSIONAL SPECIFICATIONS (IN MM)



APPLICATIONS ADVANTAGES

- **DECREASING ASSEMBLY COST – WAVE SOLDERING INSTEAD OF MANUAL WIRING**
- **SPACE SAVING - LESS SPACE USED THAN DIN RAIL MOUNTED SPD**
- **END OF LIFE INDICATION VIA PCB TRACES DIRECT TO MONITORING MODULES INTEGRATED ON PCB.**
- **REPLACEABLE CARTRIDGES VIA PLUG-IN SYSTEM.**
- **DIFFERENT CARTRIDGES AVAILABLE FOR SAME BASE: T1, T2 40KA, T2 20KA.**
1 PCB DESIGN – > SEVERAL SURGE PROTECTION DEGREES AVAILABLE FOR END USER.
- **BUILT-IN SPD PCB DESIGNED FOR USE UP TO 750VDC, SO IT CAN BE USED IN 1500VDC APPLICATIONS BY USING Y CONFIGURATION. THEREFORE, SB PCB COVERS ALL VOLTAGES OF LOW VOLTAGE REGULATIONS (AC AND DC).**

BASE SB PCB 750V M + CARTRIDGE SP2-30K750V 83020007



Adaptable Base to PCB for Surge Protection Device plug-in cartridge, 690V, with remote indication

Technical Data	Value	Units
Commercial data		
Code	83050127	
Part Number	SB-PCB-750V-M	
Tariff code (HS)	8536.30.90	
Dimensions		
Product height	64,4	[mm]
Product width	20,4	[mm]
Product length	70,9	[mm]
Product weight	21,1	[gr]
General data		
No. poles	1	
Format	Pluggable - PCB Soldering	
Certifications	CE	
Insulating material & flammability class	PA66 CT1; V-0	
Base element color	RAL 7035	
Enclosure	IP20	
Temperature range	-40 °C ... +85 °C	
Technical features		
Maximum Supply Voltage	750 Vac	
Remote indication	Yes	

BASE SB PCB 1500V M + CARTRIDGE SP2-40K1500V-PV

83020010



Adaptable Base to PCB for Surge Protection Device plug-in cartridge, 1pc
1500V, for photovoltaic applications with remote indication

Technical Data	Value	Units
Commercial data		
Code	83050135	
Part Number	SB-PCB-1500PV-M	
Tariff code (HS)	8536.30.90	
Dimensions		
Product height	64,4	[mm]
Product width	20,4	[mm]
Product length	70,9	[mm]
Product weight	21,1	[gr]
General data		
No. poles	1	
Format	Pluggable - PCB Soldering	
Certifications	CE	
Insulating material & flammability class	PA66 CT1; V-0	
Base element color	RAL 7035	
Enclosure	IP20	
Temperature range	-40 °C ... +85 °C	
Technical features		
Maximum Supply Voltage	750 Vdc	
Remote indication	Yes	

SB PCB - BUILT-IN SPD FOR PCB

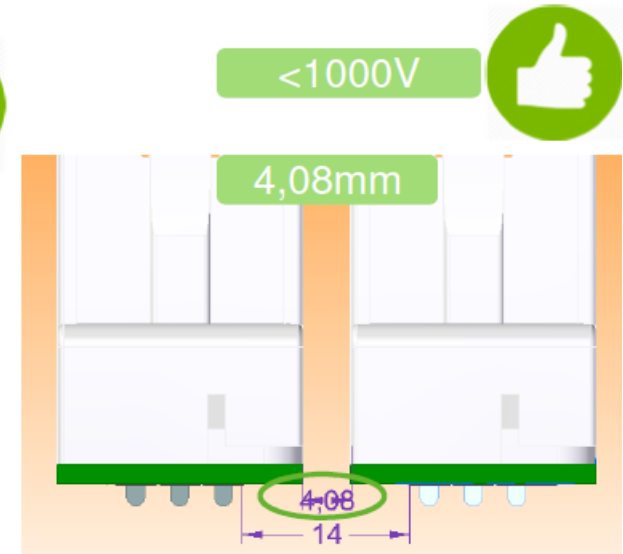
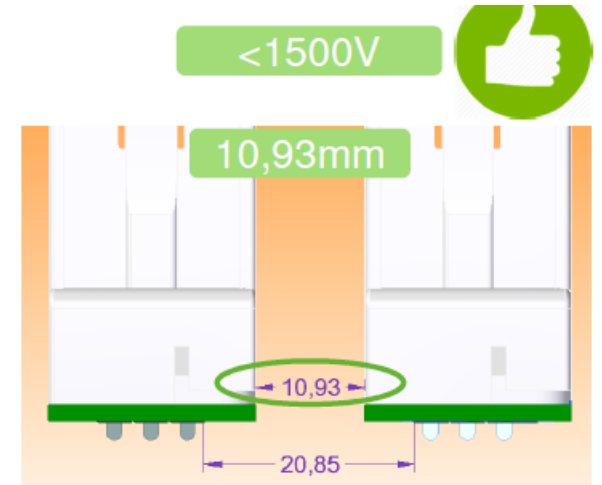
Recommended distances depending of voltage requirements

- More restrictive distance are in Creepage:
 - a) Adjacent poles are at opposite polarity; and
 - b) Any mounting surface is at ground potential.

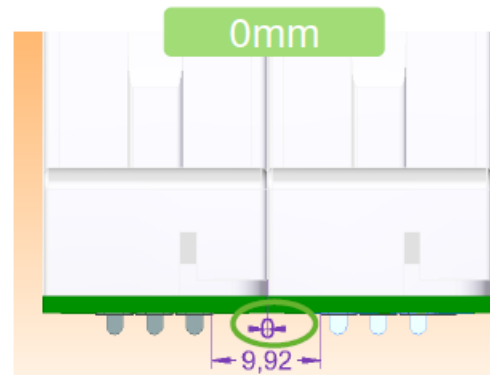
UL DISTANCES	STANDART UL840 // UL 1059 // UL1449		
	800 V	1000 V	1500 V
CREPAGE	11	14	20,85
CLEARANCE	9,5	14	17,8

Alternate Spacing Requirements for Terminal Blocks between the locations listed below are based upon UL840, Pollution Degree = 3, Material Group = II as permitted by UL 1449.

*interpolation table 9.1



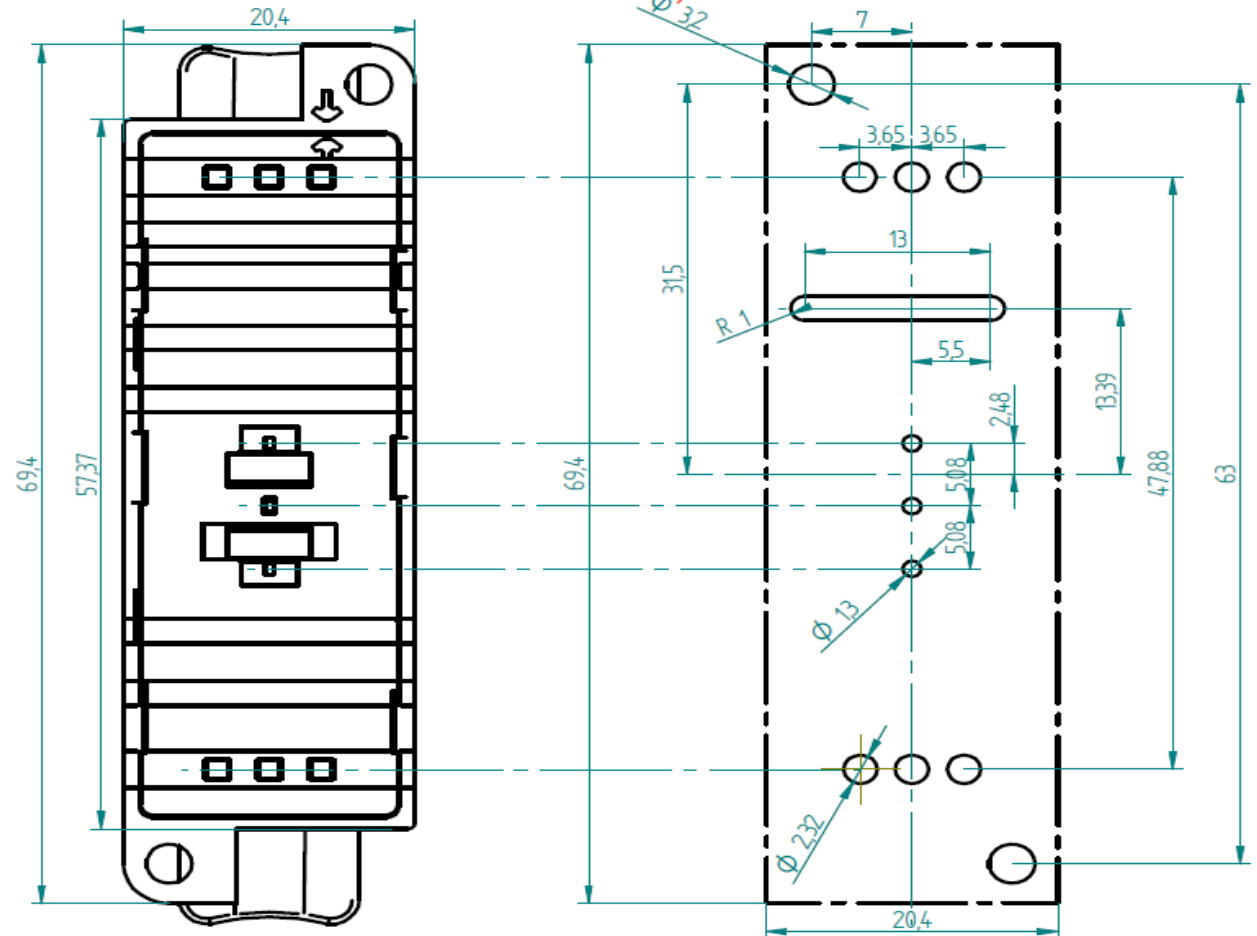
*<721V



SB PCB - BUILT-IN SPD FOR PCB

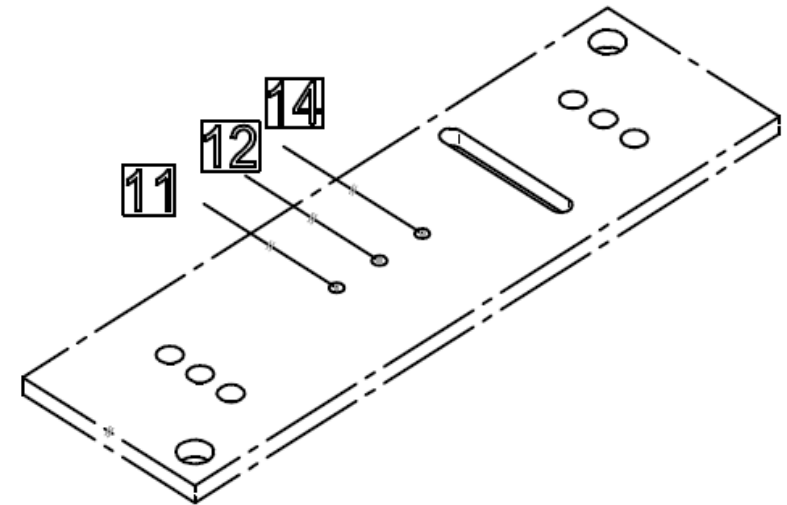
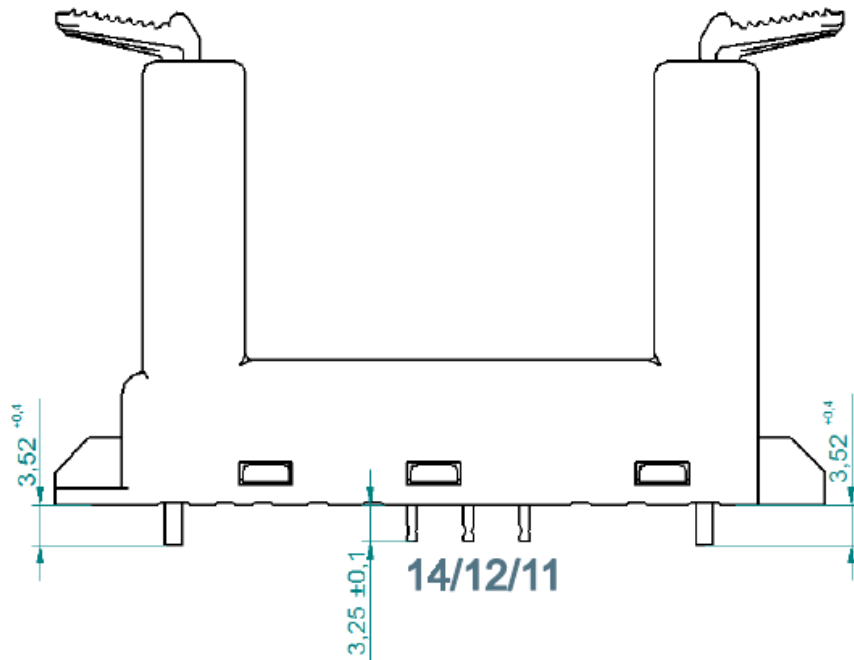
PRODUCT DETAILS

- DRILLING SCHEME FOR MOUNTING ON PRINTED CIRCUIT BOARDS (IN MM)



SB PCB - BUILT-IN SPD FOR PCB

■ BUSHING FOR REMOTE SIGNALING CONTACTS IN MM



Circuit diagram showing three switches connected to terminals 12, 11, and 14. The switches are connected to the terminals in a way that allows for remote signaling.

	U_{max} / I_{max}
AC:	250 V/1A
DC:	125V/0.2A